

ALPHA

3470UFR125P30-13

EAN 4031582304428

Swivel castor, housing made of pressed steel, bright zinc plated, blue passivated, double ball bearing swivel head, wheel axle with nut, bolt hole. Wheel centre made of Polyamide, Tread: elastic-tyre, non-marking, roller bearing



BETTER MOBILITY. BETTER LIFE.



Picture may differ from original product

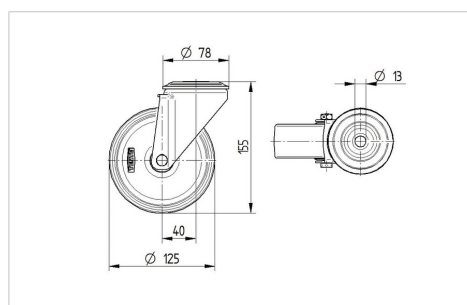
Technical Data

Wheel diameter	125 mm
Width of Tread	40 mm
Centre hole	13 mm
Offset	40 mm
Swivel Interference	205 mm
Overall height	155 mm
Temperature	- 20 / + 80 °C
Standard	EN 12532
Weight	1.091 kg
Swivel Radius	102.5 mm
Hardness of tread	Shore A 64
Load capacity	160 kg
Load capacity (static)	320 kg

Advantages at a glance

Roll performance	● ● ● ○ ○
Movement noise	● ● ● ● ●
Attrition	● ● ● ○ ○
Corrosion resistance	● ● ● ○ ○

Dimensions



Structure & Mounting

